

Economical X-ray Inspection System

Model XE Series

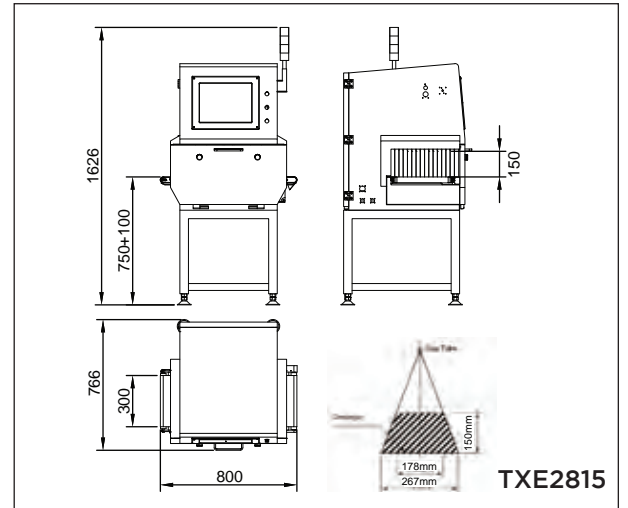
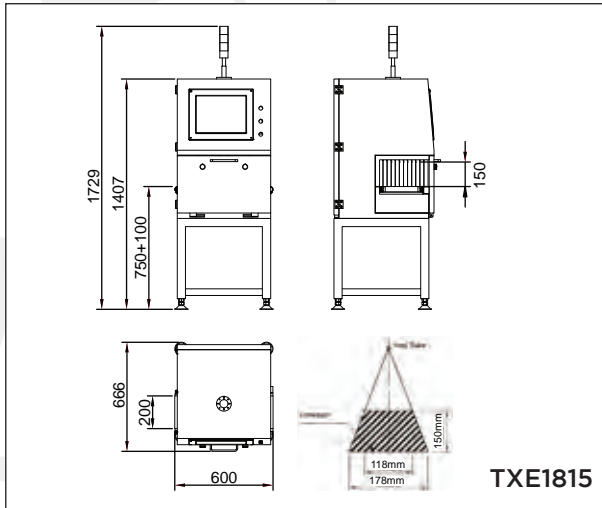
// PRODUCT HIGHLIGHTS

- **Full Range of Detection**—Metallic and non-metallic contaminants including glass, ceramic, stone, bone, hard rubber and hard plastic
- **Easy to Use and Clean**—Intuitive Windows[®]-based user interface, simple assembly and disassembly
- **Flexible**—Suitable for a wide range of product types and package formats
- **Metal Detector Upgrade**—Ideal for bakeries or inspection of products packaged with foil or other metalized elements
- **Economical**—Very competitively priced, lower than many metal detectors
- **Compact Footprint**—Will fit into most production lines with ease



Model XE Series

External Dimensions



Specifications

Model	XE-1815		XE-2815	
Best Inspection Ability	0.5mm Sus Ball 0.3*2mm Sus Wire	1.5mm Ceramic Ball 1.5mm Glass Ball	0.5mm Sus Ball 0.3*2mm Sus Wire	1.5mm Ceramic Ball 1.5mm Glass Ball
X-ray tube	MAX.80W/60kV		MAX.80W/60kV	
Max Detecting Height	150mm		150mm	
Max Detecting Width	180mm		280mm	
Conveyor Parameter	Speed	10-90m/min	Speed	10-90m/min
	Width	200mm	Width	300mm
	Max Height	150mm	Max Height	150mm
	Max Load	10kg	Max Load	10kg
Screen	Full-color TFT 15" Touch Screen		Full-color TFT 15" Touch Screen	
O/S	Windows 7		Windows 7	
Connectivity	LAN port, USB port		LAN port, USB port	
Product Management	Complete product log		Complete product log	
Parameter Adjustment	Auto learning/Manual setting		Auto learning/Manual setting	
Image Management	Auto image save/print/analyses		Auto image save/print/analyses	
Power Supply	220V, AC, 50/60Hz		220V, AC, 50/60Hz	
Body Material	SUS304		SUS304	
Sanitation	Easy to wash		Easy to wash	
Cooling method	Air conditioned cooling		Air conditioned cooling	
Operation Condition	Temperature 0-40°C Humidity 30-90%		Temperature 0-40°C Humidity 30-90%	
X-ray emissions	< 1microsievert per hour		< 1microsievert per hour	
X-ray protection	Protective curtain		Protective curtain	
IP Rating	54/66		54/66	
Height from Floor to Belt	750+100mm		750+100mm	