

High Configuration **Bulk Flow X-ray Inspection System**

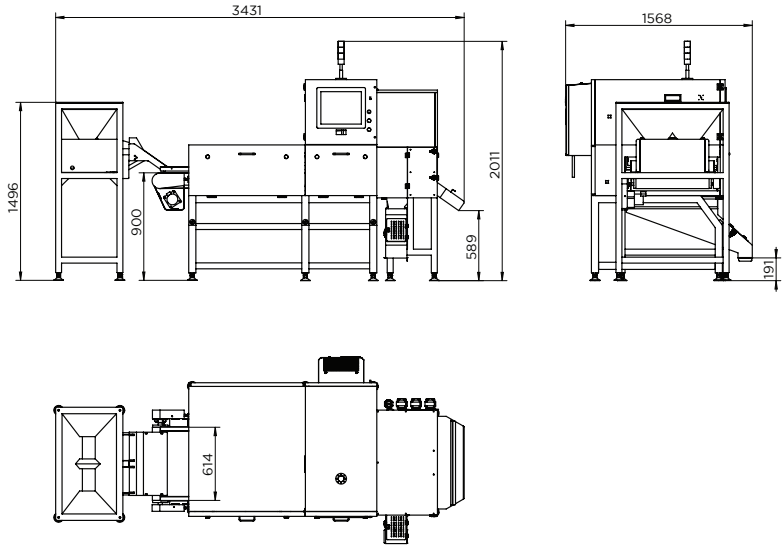
Model XR-6080GP

// PRODUCT HIGHLIGHTS

- **Superior Pre-Packaging Detection**—Inspects nuts, grains, corn, raisins, sunflower seeds, beans, frozen fruits and more
- **Extended Drive Platform**—Allows material to pass through the inspection tunnel smoothly for improved detection capability
- **Improved Sensitivity**—Due to advanced CPU processing technology and a high energy X-ray generator
- **Faster and Improved Production Output**—
With max. 120m/min belt speed, inspect up to 20,000 lbs/hr.
- **Increased Rejecter Accuracy and Reduced Waste/Rework**—Equipped with a high-speed air valve and 72 air jet rejection system



Model XR-6080GP



X-ray Generator	Max voltage 80kV, 350W
Inspection Width	600mm
Inspection Height	100mm
Best Inspection Sensitivity¹ (without product)	Stainless steel ball Φ 0.6mm, Stainless steel wire Φ 0.4*2mm, Glass/ceramic ball Φ 1.5mm
Conveyor Speed	10-120m/min
Operation System	Windows [®] 7
X-ray Leakage	< 1 μ Sv/h (CE standard)
IP Rate (under belt)	IP 66 (under belt)
Working Environment	Temperature: -10-40 °C
	Humidity: 30-90% no dew
Cooling Method	Industrial air conditioning
Rejecter Mode	72 tunnels air jet rejecter
Shape Select	Yes
Air Pressure	0.8Mpa
Power Supply	1.5kVA
Main Material	SUS304
Surface Treatment	Mirror polish/sandblasting

1. Sensitivity parameter is the result of inspecting only the test sample on the belt. The actual sensitivity would be affected according to the products being inspected.



974 Corporate Woods Parkway, Vernon Hills, IL 60061, USA
tdipacksys.com
 P 877.TDI.6750 • F 847.620.0676 • sales@tdipacksys.com

